



**Catalog Number** 11950  
**UPC Number** 60198611950  
**Description** Nylon Insulated Male Disconnect Connectors  
 22-16 AWG

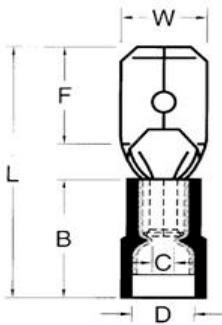


#### Features

- Nylon Color Coded insulation for easy identification
- Manufactured from high strength copper alloy
- Electro-tin plated for corrosion resistance
- Expanded insulation eliminates strand “Hang Up”, provides strain relief & excellent UV, temperature and chemical resistance
- Wire range stamped on the surface for easy interpretation
- Brazed seams prevent splitting under maximum pressure
- Serrated barrel provides excellent electrical contact & pull-out force resistance

#### General

Insulation Type Nylon  
 Material Brass  
 Finish Electro-Tin Plated  
 Color Red  
 Wire Range 22-16  
 Tab Size .032 X .250



#### Dimension Information

Stock Thickness 0.016  
 L Inches (mm) 0.866  
 B Inches (mm) 0.413  
 C Inches (mm) 0.067  
 D Inches (mm) 0.15  
 F Inches (mm) 0.303  
 W Inches (mm) 0.25

#### Specifications

Temperature Rating 105°C  
 Voltage Rating 300 V  
 Flammability Rating UL94V-O  
 Amp Rating 22 AWG 9 Amps  
 20 AWG 12 Amps  
 18 AWG 17 Amps  
 16 AWG 18 Amps

#### Packaging

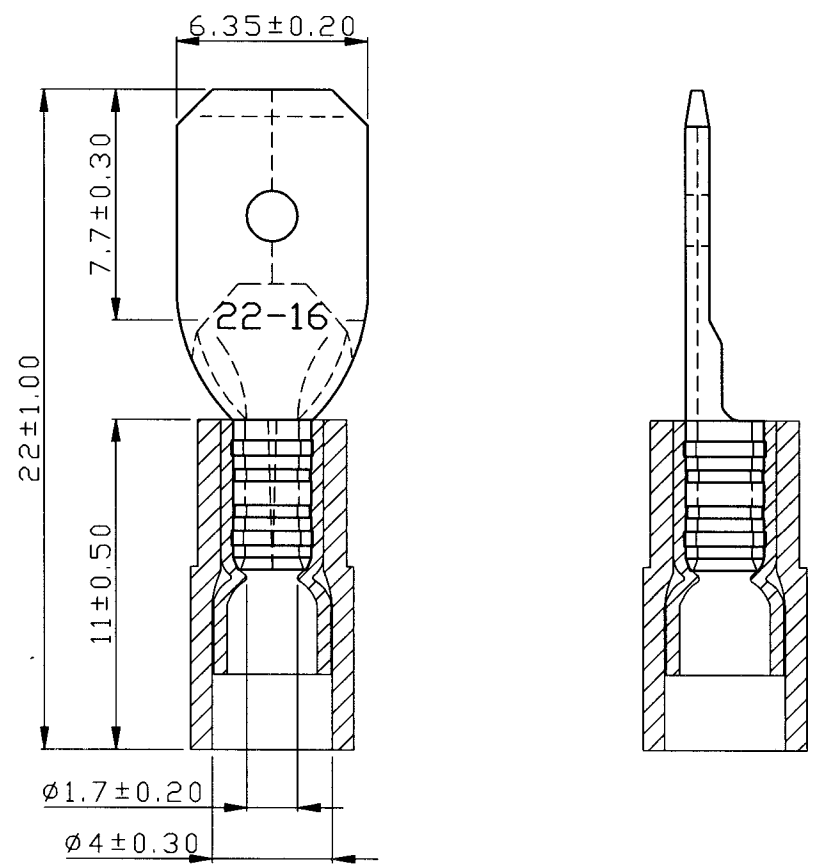
Bag Qty 100  
 Master Bag Qty 1000

#### Certifications

UL Yes  
 cUL Yes  
 RoHS Yes



REV	DESCRIPTION	DATE
-----	-------------	------



- NOTE :
1. MAXIMUM ELECTRIC CURRENT : 

A.W.G.	22	20	18	16
AMP.	3	4	7	10
  2. MAXIMUM ELECTRICAL RATING : 105°C 600 VOLTS MAX.
  3. INSULATION MATERIAL : NYLON
  4. INSULATION COLOR : RED
  5. TERMINAL MATERIAL : BRASS
  6. WIRE RANGE : 22-16 A.W.G. ( 0.5-1.5 mm<sup>2</sup>)
  7. DOUBLE CRIMP : WITH COPPER SLEEVE ON BARREL
  8. TERMINAL SURFACE TREATMENT : TIN PLATED
  9. TERMINAL THICKNESS : 0.40 mm

Tolerance Unless		Otherwise Specified	
0 > 6 mm ±0.20	ANGLE		
6 > 18 mm ±0.30	0° >	REF ±	
18 > 30 mm ±0.40	0° >	±	
30 > 75 mm ±0.50	0° >	±	

NAME	NYLON-INSULATED DOUBLE CRIMP MALE DISCONNECTORS			UNIT	mm	
PART NO.	11950	MATERIAL	-----	APPROVE		
NUMBER		SCALE	SHEET	PAGE	CHECKED	
DATE	2006/08/28	4/1	1-0	10F2	DRAWN	

Morris Products Inc.