



**Catalog Number** 11986  
**UPC Number** 60198611986  
**Description** Nylon Fully Insulated Male Disconnect  
12-10 AWG



#### Features

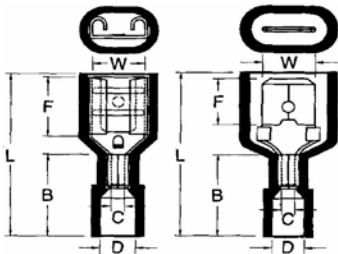
- Nylon Color Coded insulation for easy identification
- Manufactured from high strength copper alloy
- Electro-tin plated for corrosion resistance
- Expanded insulation eliminates strand “Hang Up”, provides strain relief & excellent UV, temperature and chemical resistance
- Wire range stamped on the surface for easy interpretation
- Brazed seams prevent splitting under maximum pressure
- Serrated barrel & extended crimp sleeve provides excellent electrical contact & pull-out force resistance

#### General

**Insulation Type** Nylon  
**Material** Brass/Copper  
**Finish** Electro-Tin Plated  
**Color** Yellow  
**Wire Range** 12-10  
**Tab Size** .250 X .032

#### Dimension Information

**Stock Thickness** 0.016  
**L Inches (mm)** 0.976  
**B Inches (mm)** 0.512  
**C Inches (mm)** 0.134  
**D Inches (mm)** 0.256  
**F Inches (mm)** 0.303  
**W Inches (mm)** 0.25



#### Specifications

**Temperature Rating** 105°C  
**Voltage Rating** 600 V  
**Flammability Rating** UL94V-O  
**Amp Rating** 12 AWG 20 Amps  
10 AWG 24 Amps

#### Packaging

**Bag Qty** 100  
**Master Bag Qty** 1000

#### Certifications

**UL** Yes  
**cUL** Yes  
**RoHS** Yes

Morris Products 53 Carey Road, Queensbury, NY 12804

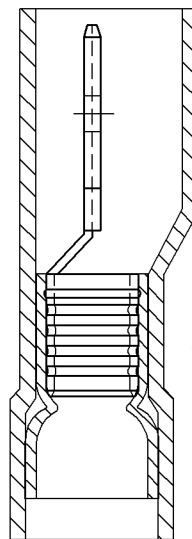
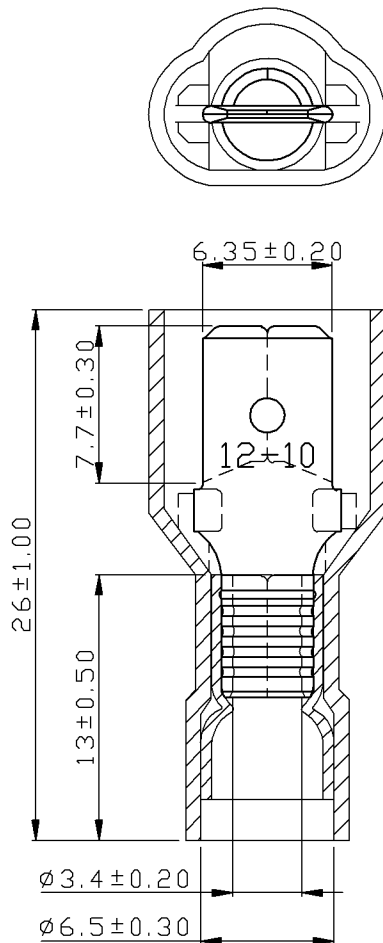
[www.morrisproducts.com](http://www.morrisproducts.com)



REV	DESCRIPTION	DATE
-----	-------------	------

△ RDK-96019

2007/03/19



NOTE :

1. MAXIMUM ELECTRIC CURRENT : 

A.W.G.	12	10	
AMP.	20	24	
2. MAXIMUM ELECTRICAL RATING : 105°C 600 VOLTS MAX.
3. INSULATION MATERIAL : NYLON
4. INSULATION COLOR : YELLOW
5. TERMINAL MATERIAL : BRASS
6. WIRE RANGE : 12-10 A.W.G. ( 4 - 6 mm<sup>2</sup> )
7. NEMA TAB : 0.032 inch \* 0.250 inch ( 0.8 mm \* 6.35 mm )
8. DOUBLE CRIMP : WITH COPPER SLEEVE ON BARREL
9. TERMINAL SURFACE TREATMENT : TIN PLATED
10. TERMINAL THICKNESS : 0.40 mm
- △ 11. THE ASSEMBLY AT UPSIDE OR DOWNSIDE MALE DISCONNECTOR INTO HOUSING IS NORMAL AND MUST NOT AFFECT THE FUNCTION AND THE SIZE

Tolerance Unless Otherwise Specified	
0 > 6 mm ± 0.20	ANGLE
6 > 18 mm ± 0.30	0° > ° REF ±
18 > 30 mm ± 0.40	° > ° ±
30 > 75 mm ± 0.50	° > ° ±

NAME	NYLON-FULLY INSULATED DOUBLE CRIMP MALE DISCONNECTORS			UNIT	
PART NO.	11986	MATERIAL	-----	APPROVE	
NUMBER		SCALE	SHEET	PAGE	CHECKED
DATE	2006/08/16	3/1	1-1	10F2	DRAWN

Morris Products Inc.