



**Catalog Number** 12212  
**UPC Number** 60198612212  
**Description** Heat Shrinkable Ring Terminals  
 22-16 AWG



**Features**

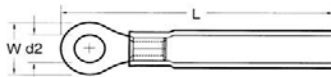
Color Coded HD Polyethylene Heat Shrink insulation  
 Manufactured from high strength copper alloy  
 Electro-tin plated for corrosion resistance  
 Expanded Insulation funnel entry eliminates strand “Hang Up”,  
 increases the crimping rates and the reliability of the termination  
 Wire range stamped on the surface for easy interpretation  
 Brazed seam prevent splitting under maximum pressure  
 Serrated barrel & flared position of sleeve provides excellent  
 contact & mechanical stress relief at insulation & barrel junction

**General**

**Insulation Type** High Density Polyethylene  
**Material** Copper  
**Finish** Electro-tin plated  
**Color** Red  
**Wire Range** 22-16 AWG  
**Stud Size** #6

**Dimension Information**

**L Inches (mm)** 0.984  
**W Inches (mm)** 0.217  
**d2 Inches (mm)** 0.146  
**T Inches (mm)** 0.03



**Specifications**

**Temperature Rating** 105°C  
**Voltage Rating** 600 V  
**Flammability Rating** UL94V-O  
**Amp Rating**

22 AWG	9 Amps
20 AWG	12 Amps
18 AWG	17 Amps
16 AWG	18 Amps

**Packaging**

**Bag Qty** 100  
**Master Bag Qty** 1000

**Certifications**

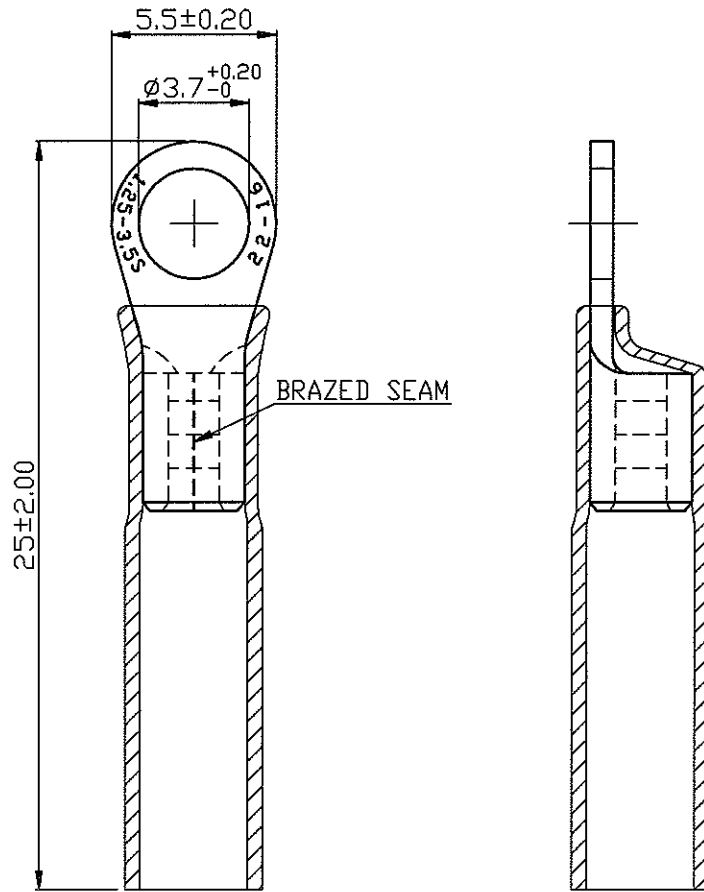
**UL** Yes  
**cUL** Yes  
**RoHS** Yes

Morris Products 53 Carey Road, Queensbury, NY 12804

[www.morrisproducts.com](http://www.morrisproducts.com)



REV	DESCRIPTION	DATE
△	RDC-97216	2008/07/02



NOTE :

1. MAXIMUM ELECTRIC CURRENT : 

A.W.G.	22	20	18	16
AMP.	9	12	17	18
2. MAXIMUM ELECTRICAL RATING : 600 VOLTS MAX.
3. SHRINK TEMP. : 150°C
- △4. OPERATING TEMP. : -40°C~+105°C
5. INSULATION MATERIAL : HIGH DENSITY PE.
6. INSULATED COLOR : RED
7. WIRE RANGE : 22-16 A.W.G. ( 0.5-1.5 mm<sup>2</sup> )
8. TERMINAL MATERIAL : COPPER
9. TERMINAL SURFACE TREATMENT : TIN PLATED
10. TERMINAL THICKNESS : 0.75 mm

Tolerance Unless Otherwise Specified	
0 > 6 mm ±0.20	ANGLE
6 > 18 mm ±0.30	0° REF ±
18 > 30 mm ±0.40	° ±
30 > 75 mm ±0.50	° ±

NAME	HEAT SHRINKABLE-RING TERMINALS "HB"(BRAZED TYPE)				UNIT	mm		
PART NO.	12212	MATERIAL	-----	APPROVE				
NUMBER		SCALE	SHEET	PAGE	CHECKED			
DATE	2005/02/18	4/1	1-1	10F2	DRAWN			

Morris Products Inc.