



Catalog Number 12236
UPC Number 60198612236
Description Heat Shrinkable Ring Terminals
12-10 AWG



Features

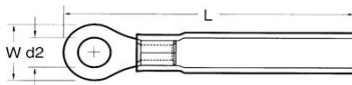
Color Coded HD Polyethylene Heat Shrink insulation
Manufactured from high strength copper alloy
Electro-tin plated for corrosion resistance
Expanded Insulation funnel entry eliminates strand “Hang Up”, increases the crimping rates and the reliability of the termination
Wire range stamped on the surface for easy interpretation
Brazed seam prevent splitting under maximum pressure
Serrated barrel & flared position of sleeve provides excellent contact & mechanical stress relief at insulation & barrel junction

General

Insulation Type High Density Polyethylene Heat Shrink
Material Copper
Finish Electro-tin plated
Color Yellow
Wire Range 12-10 AWG
Stud Size #6

Dimension Information

L Inches (mm) 1.346
W Inches (mm) 0.374
d2 Inches (mm) 0.146
T Inches (mm) 0.039



Specifications

Temperature Rating 105°C
Voltage Rating 600 V
Flammability Rating UL94V-O
Amp Rating 12 AWG 35 Amps
10 AWG 50 Amps

Packaging

Bag Qty 100
Master Bag Qty 1000

Certifications

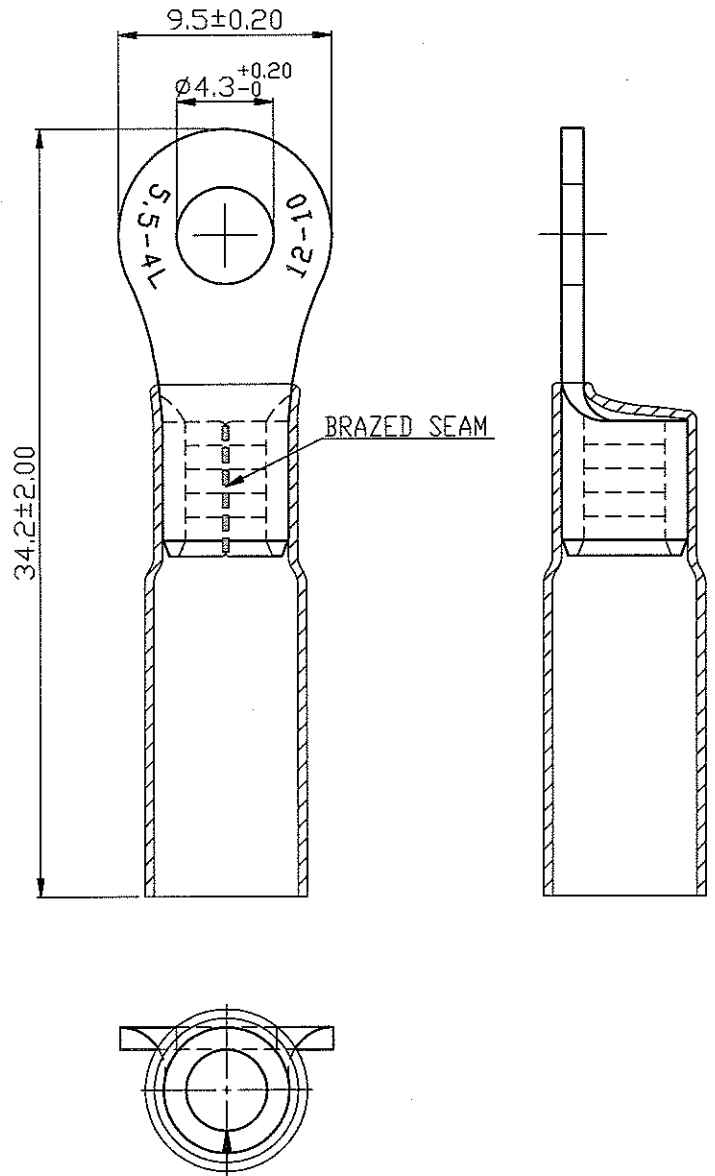
UL Yes
cUL Yes
RoHS Yes

Morris Products 53 Carey Road, Queensbury, NY 12804

www.morrisproducts.com



REV	DESCRIPTION	DATE
△	RDK-97140	2008/07/04



- NOTE :
1. MAXIMUM ELECTRIC CURRENT :

A.W.G.	12	10	
AMP.	35	50	
 2. MAXIMUM ELECTRICAL RATING : 600 VOLTS MAX.
 3. SHRINK TEMP. : 150°C
 - △4. OPERATING TEMP. : -40°C~+105°C
 5. INSULATION MATERIAL : HIGH DENSITY PE.
 6. INSULATED COLOR : YELLOW
 7. WIRE RANGE : 12-10 A.W.G. (4-6 mm²)
 8. TERMINAL MATERIAL : COPPER
 9. TERMINAL SURFACE TREATMENT : TIN PLATED
 10. TERMINAL THICKNESS : 1.00 mm

Tolerance Unless Otherwise Specified	
0 > 6 mm ± 0.20	ANGLE
6 > 18 mm ± 0.30	0° REF ±
18 > 30 mm ± 0.40	° ±
30 > 75 mm ± 0.50	° ±

NAME	HEAT SHRINKABLE-RING TERMINALS "HB" (BRAZED TYPE)				UNIT	
PART NO.	12236	MATERIAL	-----	APPROVE		
NUMBER		SCALE	SHEET	PAGE	CHECKED	
DATE	2005/02/18	3/1	1-1	10F2	DRAWN	

Morris Products Inc.