



**Catalog Number** 12252  
**UPC Number** 60198612252  
**Description** Heat Shrinkable Fork Terminals  
 22-16 AWG



**Features**

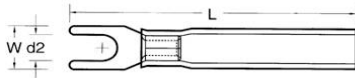
Color Coded HD Polyethylene Heat Shrink insulation  
 Manufactured from high strength copper alloy  
 Electro-tin plated for corrosion resistance  
 Expanded Insulation funnel entry eliminates strand “Hang Up”,  
 increases the crimping rates and the reliability of the termination  
 Wire range stamped on the surface for easy interpretation  
 Brazed seam prevent splitting under maximum pressure  
 Serrated barrel & flared position of sleeve provides excellent  
 contact & mechanical stress relief at insulation & barrel junction

**General**

Insulation Type High Density Polyethylene Heat Shrink  
 Material Copper  
 Finish Electro-tin plated  
 Color Red  
 Wire Range 12-10 AWG  
 Stud Size #6

**Dimension Information**

L Inches (mm) 1.154  
 W Inches (mm) 0.252  
 d2 Inches (mm) 0.146  
 T Inches (mm) 0.03



**Specifications**

Temperature Rating 105°C  
 Voltage Rating 600 V  
 Flammability Rating UL94V-O  
 Amp Rating 22 AWG 9 Amps  
 20 AWG 12 Amps  
 18 AWG 17 Amps  
 16 AWG 18 Amps

**Packaging**

Bag Qty 100  
 Master Bag Qty 1000

**Certifications**

UL Yes  
 cUL Yes  
 RoHS Yes

Morris Products 53 Carey Road, Queensbury, NY 12804

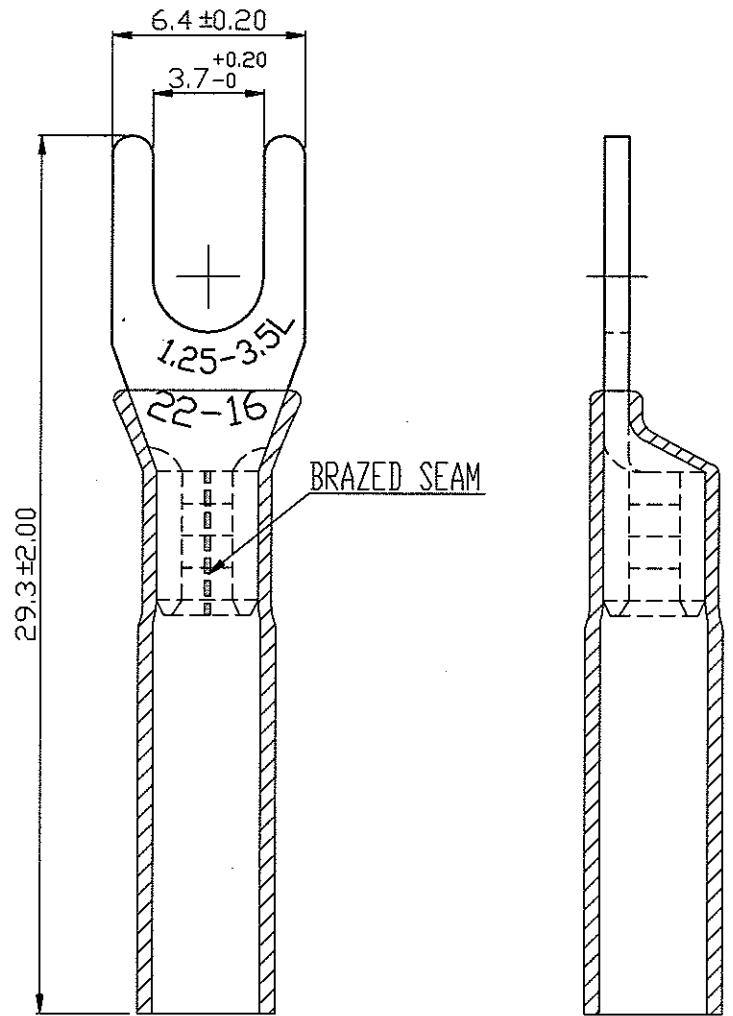
[www.morrisproducts.com](http://www.morrisproducts.com)



REV	DESCRIPTION	DATE
-----	-------------	------

△ RDC-97216

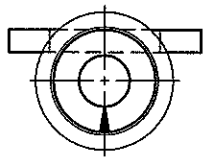
2008/07/02



- NOTE :
1. MAXIMUM ELECTRIC CURRENT : 

A.W.G.	22	20	18	16
AMP.	9	12	17	18
  2. MAXIMUM ELECTRICAL RATING : 600 VOLTS MAX.
  3. SHRINK TEMP. : 150°C
  - △ 4. OPERATING TEMP. : -40°C ~ +105°C
  5. INSULATION MATERIAL : HIGH DENSITY PE.
  6. INSULATED COLOR : RED
  7. WIRE RANGE : 22-16 A.W.G. ( 0.5-1.5 mm<sup>2</sup> )
  8. TERMINAL MATERIAL : COPPER
  9. TERMINAL SURFACE TREATMENT : TIN PLATED
  10. TERMINAL THICKNESS : 0.75 mm

Tolerance Unless Otherwise Specified	
0 > 6 mm ± 0.20	ANGLE
6 > 18 mm ± 0.30	0° REF ±
18 > 30 mm ± 0.40	° ±
30 > 75 mm ± 0.50	° ±



NAME	HEAT SHRINKABLE-SPADE TERMINALS "HB" (BRAZED TYPE)				UNIT	mm		
PART NO.	12252	MATERIAL	-----	APPROVE				
NUMBER		SCALE	SHEET	PAGE	CHECKED			
DATE	2005/02/16	4/1	1-1	10F2	DRAWN			

Morris Products Inc.