



Catalog Number 12282
UPC Number 60198612282
Description Heat Shrinkable Female Disconnect
22-16 AWG

Features

Color Coded HD Polyethylene Heat Shrink insulation
Manufactured from high strength copper alloy
Electro-tin plated for corrosion resistance
Expanded Insulation funnel entry eliminates strand “Hang Up”, increases the crimping rates and the reliability of the termination
Wire range stamped on the surface for easy interpretation
Braze seam prevent splitting under maximum pressure
Serrated barrel & extended copper crimp sleeve provide excellent electrical contact, pull-out resistance & mechanical stress relief

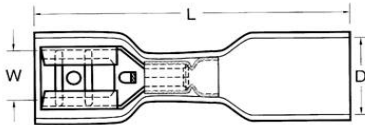


General

Insulation Type High Density Polyethylene Heat Shrink
Material Copper
Finish Electro-tin plated
Color Red
Wire Range 22-16 AWG
Tab Size .032 X .250

Dimension Information

L Inches (mm) 1.102
W Inches (mm) 0.26
D Inches (mm) 0.256



Specifications

Temperature Rating 105°C
Voltage Rating 300 V
Flammability Rating UL94V-O
Amp Rating
22 AWG 3 Amps
20 AWG 4 Amps
18 AWG 7 Amps
16 AWG 10 Amps

Packaging

Bag Qty 100
Master Bag Qty 1000

Certifications

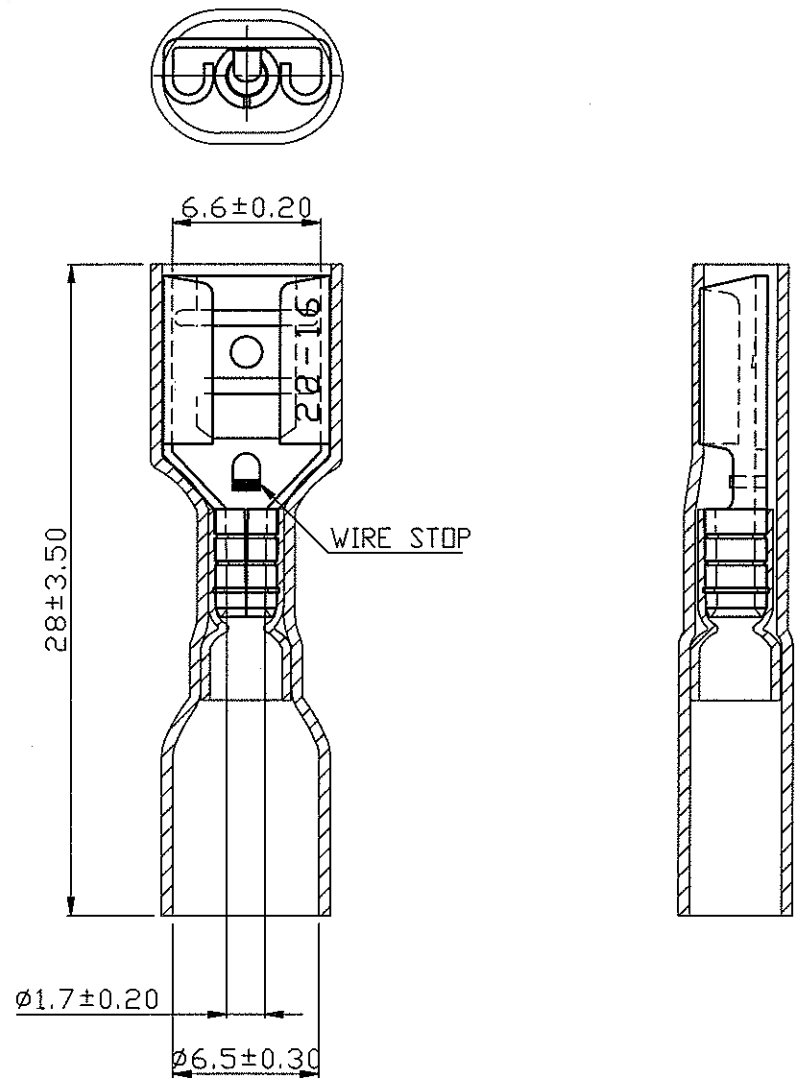
UL Yes
cUL Yes
RoHS Yes

Morris Products 53 Carey Road, Queensbury, NY 12804

www.morrisproducts.com



REV	DESCRIPTION	DATE
△ RDK-97140		2008/07/15



- NOTE :
1. MAXIMUM ELECTRIC CURRENT :

A.W.G.	22	20	18	16
AMP.	3	4	7	10
 2. MAXIMUM ELECTRICAL RATING : 300 VOLTS MAX.
 3. SHRINK TEMP. : 150°C △
 4. OPERATING TEMP. : $-40^{\circ}\text{C} \sim +105^{\circ}\text{C}$
 5. INSULATION MATERIAL : HIGH DENSITY PE.
 6. INSULATION MATERIAL : WITH COPPER SLEEVE ON BARREL
 7. INSULATED COLOR : RED
 8. WIRE RANGE : 22-16 A.W.G. ($0.5-1.5 \text{ mm}^2$)
 9. TERMINAL MATERIAL : BRASS
 10. TERMINAL SURFACE TREATMENT : TIN PLATED
 11. TERMINAL THICKNESS : 0.40 mm
 12. NEMA TAB : 0.032 inch * 0.250 inch ($0.8 \text{ mm} * 6.35 \text{ mm}$)

Tolerance Unless Otherwise Specified	
0 > 6 mm ± 0.20	ANGLE
6 > 18 mm ± 0.30	0° REF ±
18 > 30 mm ± 0.40	° ±
30 > 75 mm ± 0.50	° ±

NAME	HEAT SHRINKABLE-FULLY FEMALE DISCONNECTORS				UNIT
PART NO.	12282	MATERIAL	-----	APPROVE	
NUMBER	-----	SCALE	SHEET	PAGE	CHECKED
DATE	2007/01/15	3/1	1-1	10F2	DRAWN

Morris Products Inc.