



**Catalog Number** 12334  
**UPC Number** 60198612334  
**Description** Heat Shrinkable Butt Spice  
16-14 AWG



#### Features

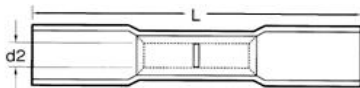
Color Coded HD Polyethylene Heat Shrink insulation  
Manufactured from high strength tubular copper alloy  
Electro-tin plated for corrosion resistance  
Expanded Insulation funnel entry eliminates strand “Hang Up”,  
increases the crimping rates and the reliability of the termination  
Funneled barrel provides excellent electrical contact,  
pull-out resistance & mechanical stress relief

#### General

**Insulation Type** High Density Polyethylene Heat Shrink  
**Material** Copper  
**Finish** Electro-tin plated  
**Color** Blue  
**Wire Range** 16-14 AWG  
**Stud Size** N/A

#### Dimension Information

**L Inches (mm)** 1.417  
**D2 Inches (mm)** 0.091



#### Specifications

**Temperature Rating** 105°C  
**Voltage Rating** 600 V  
**Flammability Rating** UL94V-O  
**Amp Rating** 14 AWG 30 Amps  
16 AWG 18 Amps

#### Packaging

**Bag Qty** 100  
**Master Bag Qty** 1000

#### Certifications

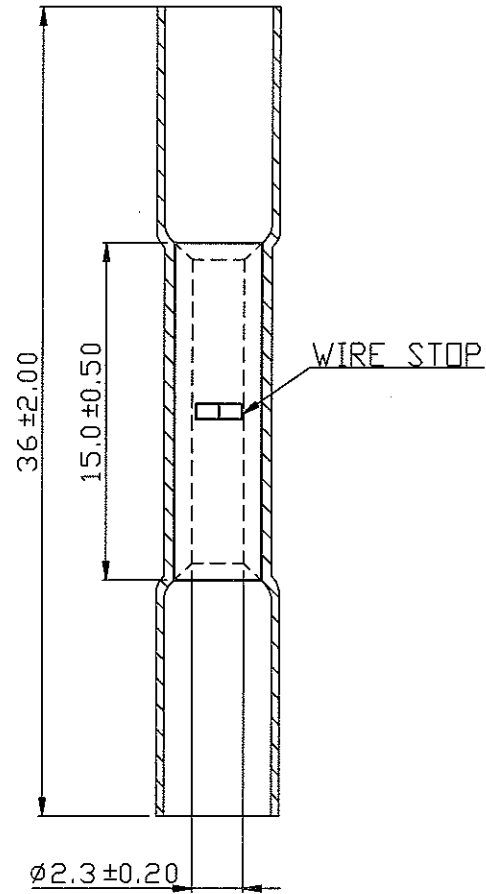
**UL** Yes  
**cUL** Yes  
**RoHS** Yes

Morris Products 53 Carey Road, Queensbury, NY 12804

[www.morrisproducts.com](http://www.morrisproducts.com)



REV	DESCRIPTION	DATE
△ RDK-97140		2008/07/14



NOTE :

1. MAXIMUM ELECTRIC CURRENT : 

A.W.G.	16	14	
AMP.	18	30	
2. MAXIMUM ELECTRICAL RATING : 600 VOLTS MAX.
3. SHRINK TEMP. : 150°C △
4. OPERATING TEMP. : -40°C~+105°C
5. INSULATION MATERIAL : HIGH DENSITY PE.
6. INSULATED COLOR : BLUE
7. WIRE RANGE : 16-14 A.W.G. ( 1.5-2.5 mm<sup>2</sup> )
8. TERMINAL MATERIAL : COPPER TUBULAR
9. TERMINAL SURFACE TREATMENT : TIN PLATED

Tolerance Unless Otherwise Specified	
0 > 6 mm ± 0.20	ANGLE
6 > 18 mm ± 0.30	0° ° REF ±
18 > 30 mm ± 0.40	° ±
30 > 75 mm ± 0.50	° ±

NAME	HEAT SHRINKABLE-BUTT SPLICE CONNECTORS 'HT' (TUBULAR TYPE)				UNIT	
PART NO.	1234	MATERIAL	-----	APPROVE		
NUMBER	KA-95343-C	SCALE	SHEET	PAGE	CHECKED	
DATE	2006/05/09	3/1	1-1	10F1	DRAWN	

Morris Products Inc.