



Catalog Number 12336
UPC Number 60198612336
Description Heat Shrinkable Butt Spice
12-10 AWG



Features

Color Coded HD Polyethylene Heat Shrink insulation
Manufactured from high strength tubular copper alloy
Electro-tin plated for corrosion resistance
Expanded Insulation funnel entry eliminates strand “Hang Up”, increases the crimping rates and the reliability of the termination
Funneled barrel provides excellent electrical contact, pull-out resistance & mechanical stress relief

General

Insulation Type High Density Polyethylene Heat Shrink
Material Copper
Finish Electro-tin plated
Color Yellow
Wire Range 12-10 AWG
Stud Size N/A

Dimension Information

L Inches (mm) 1.614
D2 Inches (mm) 0.134

Specifications

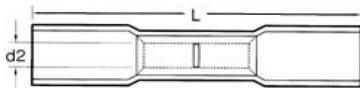
Temperature Rating 105°C
Voltage Rating 600 V
Flammability Rating UL94V-O
Amp Rating 12 AWG 35 Amps
10 AWG 50 Amps

Packaging

Bag Qty 100
Master Bag Qty 1000

Certifications

UL Yes
cUL Yes
RoHS Yes

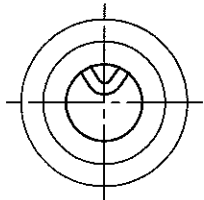
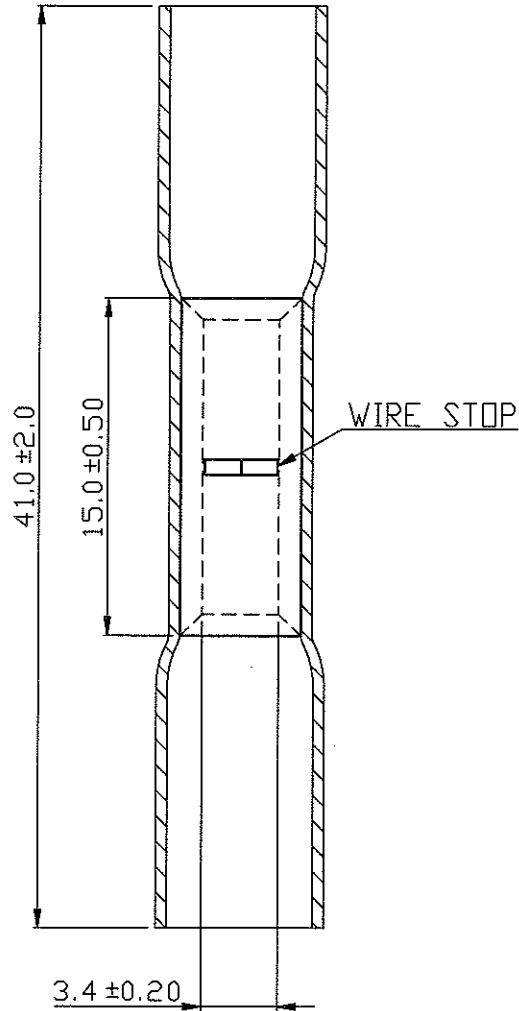


Morris Products 53 Carey Road, Queensbury, NY 12804

www.morrisproducts.com



REV	DESCRIPTION	DATE
△ RDK-97140		2008/07/14



NOTE :

1. MAXIMUM ELECTRIC CURRENT :

A.W.G.	12	10	
AMP.	35	50	
2. MAXIMUM ELECTRICAL RATING : 600 VOLTS MAX.
3. SHRINK TEMP. : 150°C
4. OPERATING TEMP. : -40°C~+105°C
5. INSULATION MATERIAL : HIGH DENSITY PE.
6. INSULATION COLOR YELLOW
7. WIRE RANGE : 12-10 A.W.G. (4 - 6 mm²)
8. TERMINAL MATERIAL : COPPER TUBULAR
9. TERMINAL SURFACE TREATMENT : TIN PLATED

Tolerance Unless Otherwise Specified	
0 > 6 mm ± 0.20	ANGLE
6 > 18 mm ± 0.30	0° ° REF ±
18 > 30 mm ± 0.40	° ° ±
30 > 75 mm ± 0.50	° ° ±

NAME	HEAT SHRINKABLE-BUTT SPLICE CONNECTORS				UNIT	⊕	⊞
PART NO.	12336	MATERIAL	-----	APPROVED			
NUMBER	KA-95344-C	SCALE	SHEET	PAGE	CHECKED		
DATE	2006/05/09	3/1	1-1	10F1	DRAWN		

Morris Products Inc.