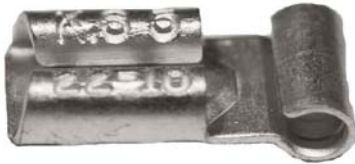




Catalog Number 12424
UPC Number 60198612424
Description Non Insulated
Right Angle Flag Female Disconnect
16-14 AWG



Features

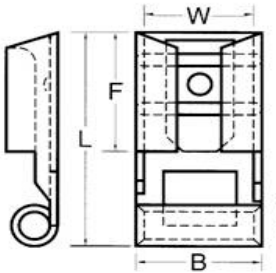
- Manufactured from high strength copper alloy
- Electro-tin plated for corrosion resistance
- Wire range stamped on the surface for easy interpretation
- Brazed seams prevent splitting under maximum pressure
- Serrated barrel provides excellent electrical contact & pull-out force resistance

General

Insulation Type N/A
Material Brass
Finish Electro-Tin Plated
Color N/A
Wire Range 16-14
Tab Size .032 X .250

Dimension Information

Stock Thickness 0.016
L Inches (mm) 0.551
B Inches (mm) 0.291
F Inches (mm) 0.299
W Inches (mm) 0.26



Specifications

Temperature Rating 150°C
Voltage Rating 300 V
Flammability Rating N/A
Amp Rating 14 AWG 15 Amps
16 AWG 10 Amps

Packaging

Bag Qty 100
Master Bag Qty 1000

Certifications

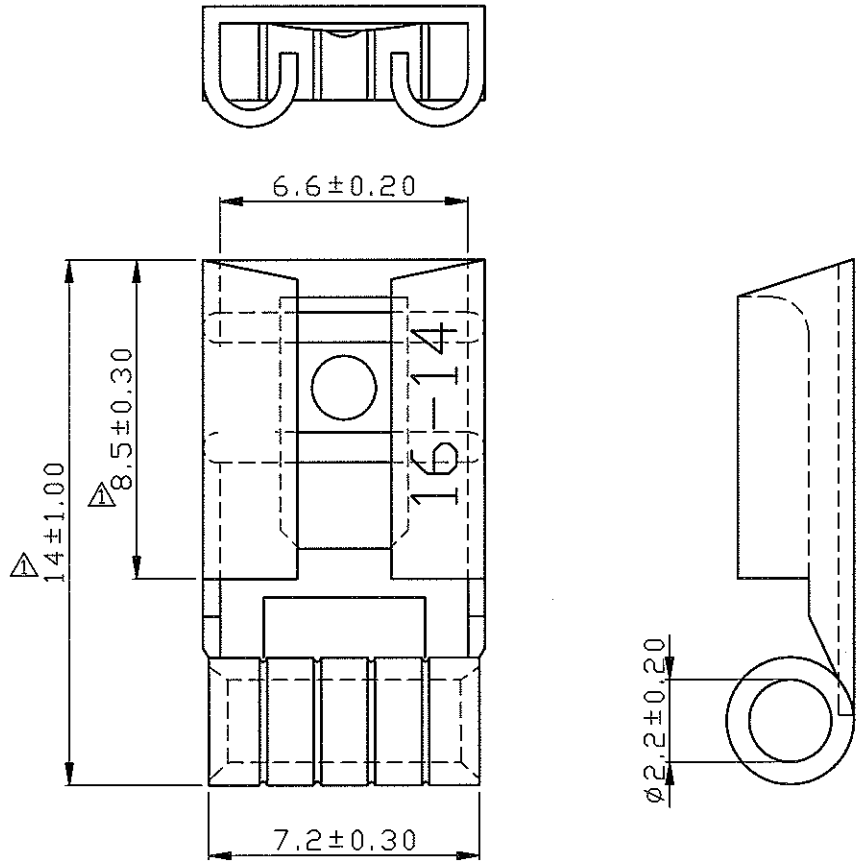
UL Yes
cUL Yes
RoHS Yes

Morris Products 53 Carey Road, Queensbury, NY 12804

www.morrisproducts.com



| REV | DESCRIPTION | DATE |
|-----|-------------|------------|
| △ | | 2008/07/07 |



- NOTE :
1. MAXIMUM ELECTRIC CURRENT :

| | | | |
|--------|----|----|--|
| A.W.G. | 16 | 14 | |
| AMP. | 10 | 15 | |
 2. WIRE RANGE : 16-14 A.W.G. (1.5-2.5 mm²)
 3. NEMA TAB : 0.032 inch * 0.250 inch (0.8 mm * 6.35 mm)
 4. SURFACE TREATMENT : TIN PLATED
 5. THICKNESS : 0.40 mm

| Tolerance Unless Otherwise Specified | |
|--------------------------------------|----------|
| 0 > 6 mm ± 0.20 | ANGLE |
| 6 > 18 mm ± 0.30 | 0° REF ± |
| 18 > 30 mm ± 0.40 | ± |
| 30 > 75 mm ± 0.50 | ± |

| | | | | | |
|----------|---|----------|------------|---------|--|
| NAME | NON-INSULATED FLAG FEMALE DISCONNECTORS | | | UNIT | |
| PART NO. | 12424 | MATERIAL | BRASS | APPROVE | |
| NUMBER | | SCALE | SHEET PAGE | CHECKED | |
| DATE | 2008/07/07 | 5/1 | 1-1 10F2 | DRAWN | |

Morris Products Inc.