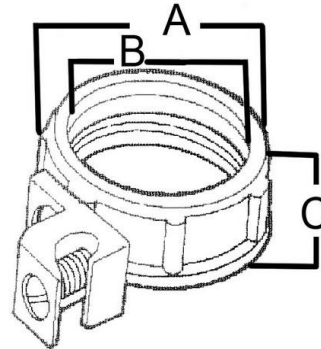




Morris CAT#: 14570-14585
Grounding Bushing Insulated Throat
with Aluminum Lug -
Zinc Die Cast



Features:

- Used with a locknut to terminate threaded Rigid & IMC conduit to a box or enclosure and to provide a smooth pulling surface
- Thermoplastic liner prevents damage to wire insulation
- Lug provides for bonding jumper to a neutral bus bar
- Resists corrosion, chemicals, and temperature extremes
- Set-screw provided with each fitting locks bushing in any desired position

DIMENSIONS = INCHES

CAT. NO.	TRADE SIZE	GROUNDING LUG RANGE	DIMENSIONS			INNER BOX	OUTER BOX
			A	B	C		
14570	1/2"	#14 - #4	1.06	.59	.53	50	500
14571	3/4"	#14 - #4	1.28	.78	.53	40	400
14572	1"	#14 - #4	1.53	1.00	.63	25	250
14574	1-1/4"	#14 - #4	1.87	1.31	.65	25	250
14576	1-1/2"	#14 - #2	2.17	1.52	.69	25	250
14578	2"	#14 - #2	2.66	1.99	.69	10	100
14579	2-1/2"	#14 - #1/0	3.23	2.34	.91	5	50
14581	3"	#14 - #1/0	3.84	2.95	.91	5	50
14583	3-1/2"	#14 - #2/0	4.33	3.39	.91	4	40
14585	4"	#14 - #2/0	4.84	3.86	.91	4	40