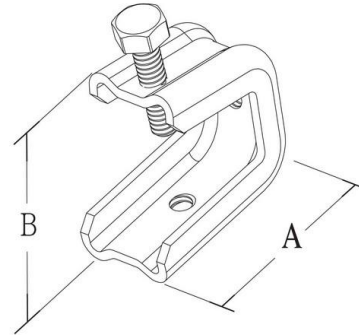




**Morris CAT#: 17468-17469**  
**Beam Clamps Universal**



**Features:**

- Used with Conduit Hangers, Bridle Rings and Threaded Rod
- Tapped for Rods - bottom and back
- Case Hardened Steel Set Screw tapped at an angle - locks on beam
- Zinc Plated Steel

DIMENSIONS = INCHES

<i>CAT. NO.</i>	<i>FITS FLANGE</i>	<i>BOTTOM &amp; BACK THREADS</i>	<i>STATIC LOAD LIMIT BOTTOM HOLE ONLY</i>	<i>SCREW DIMENSIONS</i>	<i>A</i>	<i>B</i>	<i>INNER BOX</i>	<i>MASTER BOX</i>
17468	1/2	1/4-20	75 LBS	1/4-20 X 1"	1.69	1.66	25	250
18111*	1/2	10-24	75 LBS	1/4-20 X 1"	1.65	1.40	-	50
17469	3/4	3/8-16	200 LBS	5/16-18 X 1-3/8"	2.15	2.01	-	50

\*Not UL Listed