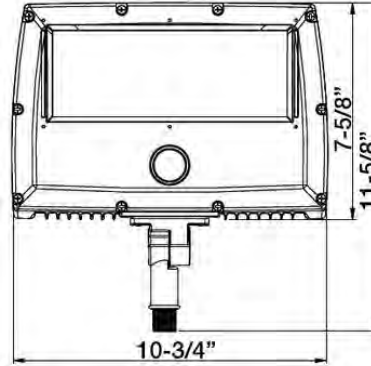




# 71143B - ARCHITECTURAL FLOOD LIGHT

50W 120-277V 5000K WHITE

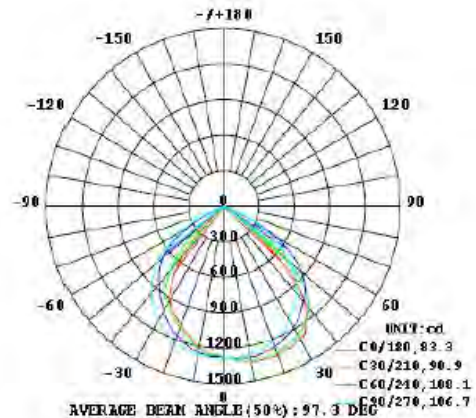
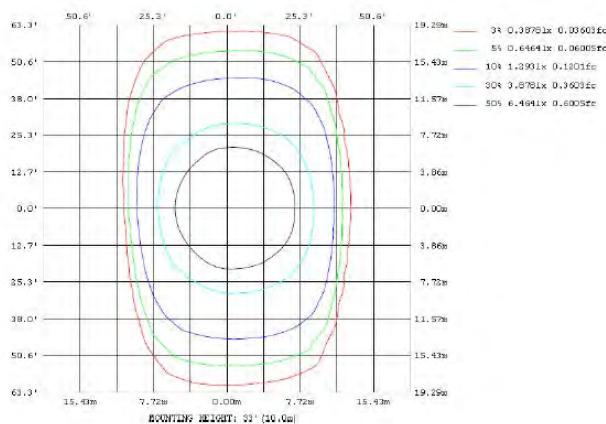


## FEATURES:

- Replaces HID, Metal Halide or high pressure sodium floods.
- Integral Cooling Fin releases heat efficiently to maintain the life of LED's & LED Driver
- Corrosion resistant Die Cast Aluminum Housing
- Polycarbonate Lens
- Superior Architectural Powder Coat Finish
- Stainless Steel hardware
- 1/2" Adj. Knuckle Mount
- Voltage: 120/208/240/277VAC
- Operating Temperature: -40°F to 104°F
- 50,000+ Hour life expectancy
- IP65 rated
- Listings: cETLus
- DLC PRODUCT ID#: PL75X9PAMCMA
- 5 Year Warranty

Part#	Housing Color	Wattage	Lumens	CCT	Voltage	Beam Angle	Lumens/Watt	DLC PRODUCT ID #:
71143B	White	50W	6,630	5000K	120/208/240/277V	Wide Beam	133lm/w	PL75X9PAMCMA

## PHOTOMETRY





# 71143B - ARCHITECTURAL FLOOD LIGHT

50W 120-277V 5000K WHITE

## Technical Specifications:

### **Electrical:**

Input Voltage: 120/208/240/277V

Current: 0.14A @ 120V

Frequency: 60Hz

Power Factor:  $\geq 0.9$

THD: 15% @ 120V

### **Product Parameters:**

50 Watts

Efficacy: 133 lumens per watt

50,000+ LED Life Span

CCT: 5000k (Cool White)

### **Chromaticity Measurements:**

Beam Angle: 97.3°

CRI: 70

R9: -16

DUV: 0.0023

Chromaticity (x,y):  $x=0.3461$ ;  $y=0.3564$

Chromaticity (u,v):  $u=0.2095$ ;  $v=0.4875$

### **Component Specifications:**

LED: SMD2835

Driver: 120/208/240/277V

Frequency: 50-60HZ

**Dimming: N/A**

### **Operating Temperature:**

Minimum Starting: -40°F to 104°F

### **Construction:**

Housing: Corrosion resistant Die Cast Aluminum Housing

IP Rating: IP65 Wet Location

Lens Material: Polycarbonate

Mounting: 1/2" Adjustable Knuckle, Trunnion Mount (Sold Separately)

### **Listings:**

cETLus

DLC PRODUCT ID#: PL75X9PAMCMA

Accessories Available (Sold Separately):

75353B - Trunnion Mount

### **Warranty:**

Morris Products carries a 5 year warranty from date of purchase against defects in materials and workmanship (assuming normal and proper usage).