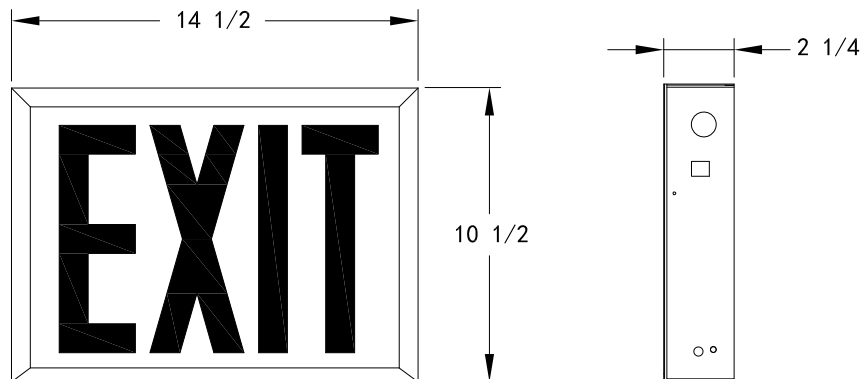




# 73602 - NEW YORK CITY CODE EXIT SIGN

WITH BATTERY BACKUP



## FEATURES:

1. 20-Gauge steel housing
2. White Powder-Coat finish
3. Temperature Rating: 68°F-86°F Ambient
4. Dual-voltage input 120V or 277V AC operation
5. Red LEDs
6. Maintenance-free nickel-cadmium battery
7. Designed for New York applications where a steel housing is required