



74012D - 80/100/150W AREA LIGHT

WITH FIELD CHANGEABLE LENS

120-277V 3/4/5K TYPE III



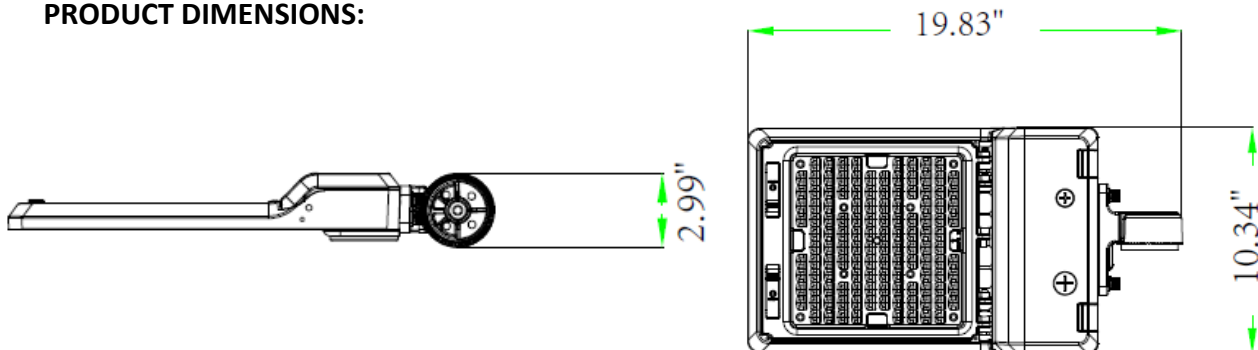
*Pictured with Slipfitter Mount (Sold Separately)

FEATURES:

- Lens Changeable: Type III Installed, Type IV & V Available Upon Request
- Color Selectable: 3000/4000/5000K
- Wattage Selectable: 80/100/150W
- 3-Pin Twist Lock Receptacle & Shorting Cap Included
- Quick Lens Change & Lock in Place Design - 4 magnetic screws for secure hold & easy lens change out at heights
- Photocell Receptacle/Socket Included
- IP65 Rated for Wet Locations
- White Die Cast Aluminum Housing - Cold Weather & High Wind Resistant
- Breather Drain Included for Proper Moisture & Heat Dissipation
- Easily Access the Driver Box Through Two Heavy Duty Clips
- Mounting Options Sold Separately
- 50,000+ Hour Life Expectancy

CAT NO.	HOUSING COLOR	WATTAGE	CCT	MAX LUMENS (TYPE III LENS)	VOLTAGE	LENS TYPE	CRI	DIMMING
74012D	WHITE	80/100/150W	3K/4K/5K	21,789	120-277V	TYPE III	>80	0-10V

PRODUCT DIMENSIONS:





74012D - 80/100/150W AREA LIGHT

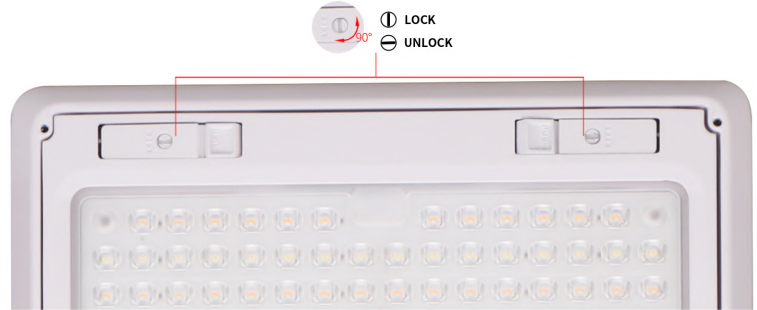
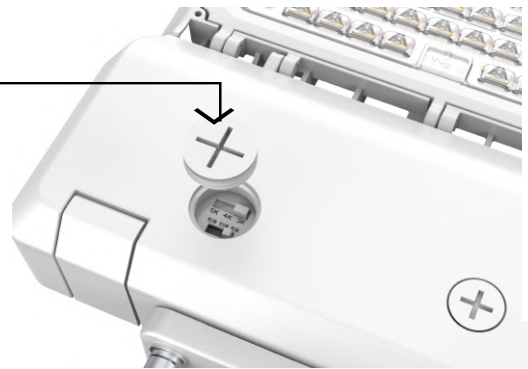
WITH FIELD CHANGEABLE LENS

120-277V 3/4/5K TYPE III

DIP SWITCH ACCESS

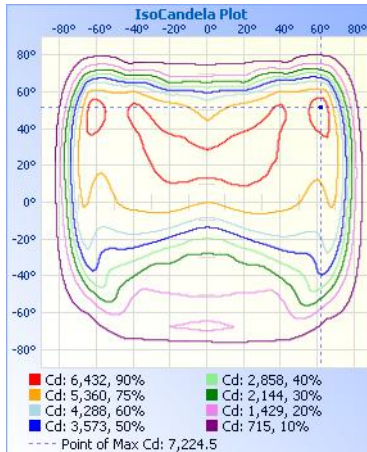
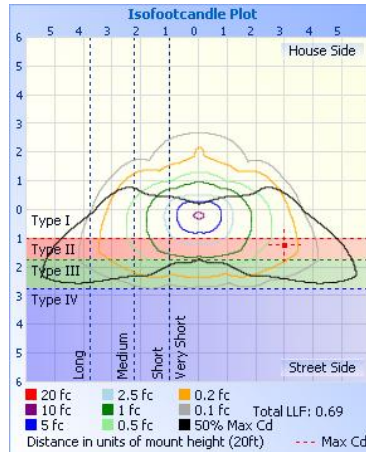
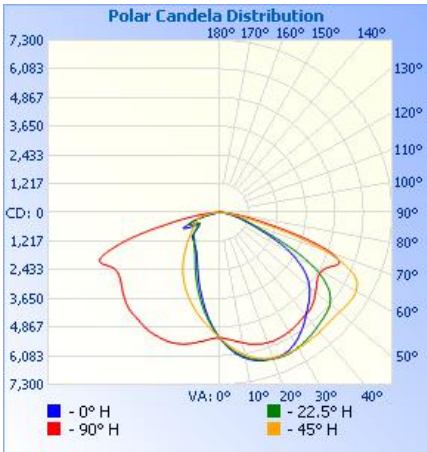
COLOR SELECTABLE:
3000K/4000K/5000K

WATTAGE
SELECTABLE:
80W/100W/150W



LENS LOCK & UNLOCK - SCREW DIRECTION

PHOTOMETRICS:



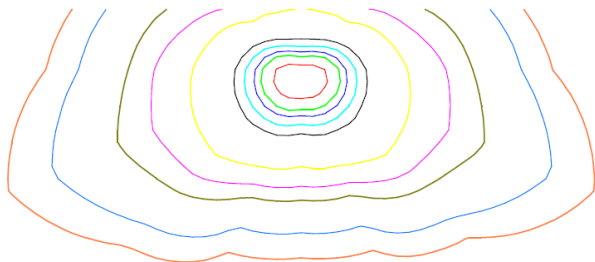
Illuminance at a Distance

	Center Beam fc	Beam Width	
17.0ft	18.4 fc	46.0 ft	103.9 ft
34.0ft	4.61 fc	91.9 ft	207.9 ft
51.0ft	2.05 fc	137.9 ft	311.8 ft
68.0ft	1.15 fc	183.8 ft	415.7 ft
85.0ft	0.74 fc	229.8 ft	519.7 ft
102.0ft	0.51 fc	275.8 ft	623.6 ft

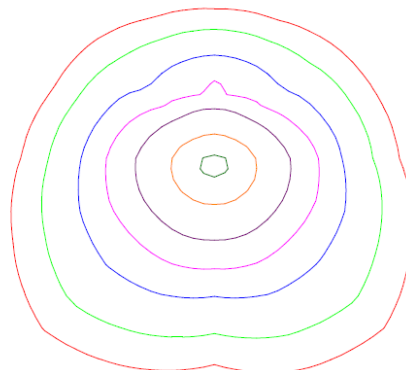
■ Vert. Spread: 107.0°
■ Horiz. Spread: 143.8°

LIGHT DISTRIBUTIONS:

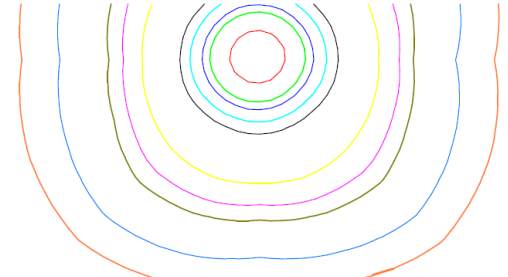
TYPE III



TYPE IV



TYPE V





74012D - 80/100/150W AREA LIGHT

WITH FIELD CHANGEABLE LENS

120-277V 3/4/5K TYPE III

TECHNICAL SPECIFICATIONS:

ELECTRICAL

Input Voltage/Frequency: 120-277VAC, 50/60Hz

THD: < 20%

Power Factor: > 0.9

Current: 1.2A @ 120V

Surge Protection: 6kV

PRODUCT PARAMETERS:

Input Power: 150W/100W/80W

Color Temperature: 3000K/4000K/5000K

Factory Preset to: 150W, 5000K

50,000+ LED Life Expectancy

Operating Temperature: -40°F - 122°F

CHROMACITY MEASUREMENTS:

CRI: >80

Beam Angle: 150° X 80°

Light Distribution: Type III

COMPONENT SPECIFICATIONS:

LED: SMD2835

Driver Voltage: 120-277V

Frequency: 50/60Hz

Dimming: 0-10V

CONSTRUCTION:

Housing: Corrosion resistant die cast aluminum housing. White Powder Coat Finish

IP Rating: IP65 Wet Location Rated

Lens Material: Polycarbonate. Magnetic screws for secure hold & placement.

Whip Length: 3'

WARRANTY:

Morris Products carries a 5 year warranty from date of purchase against defects in materials and workmanship (assuming normal and proper usage).

LUMEN BREAKDOWN:

(TYPE III LENS INCLUDED, TYPE IV & V SOLD SEPARATELY)

Type III	3000K	4000K	5000K
80W	12,741	13,234	13,160
100W	15,247	15,858	15,720
150W	20,495	21,789	21,230

Type IV	3000K	4000K	5000K
80W	12,540	13,034	12,973
100W	14,917	15,580	15,455
150W	21,490	22,521	22,068

Type V	3000K	4000K	5000K
80W	12,957	13,471	13,406
100W	15,438	16,120	15,966
150W	20,775	22,042	21,572

ACCESSORIES:

SOLD SEPARATELY

- 74786D - Type IV Lens
- 74787D - Type V Lens
- 74044A - Universal Mount
- 74037D - Yoke Mount
- 74035A - Slipfitter Mount
- 74039C - Trunnion Mount
- 74033A - Pole Arm Mount
- 74072C - Microwave Motion Sensor
- 74188B - Optional Remote for Microwave Motion Sensor
- 39106 - Twist Lock Photocell

CERTIFICATIONS:

- DLC Premium: S-MB4239
- cULus Listed