



74014D - 80/100/150W AREA LIGHT

WITH FIELD CHANGEABLE LENS

277-480V 3/4/5K TYPE III



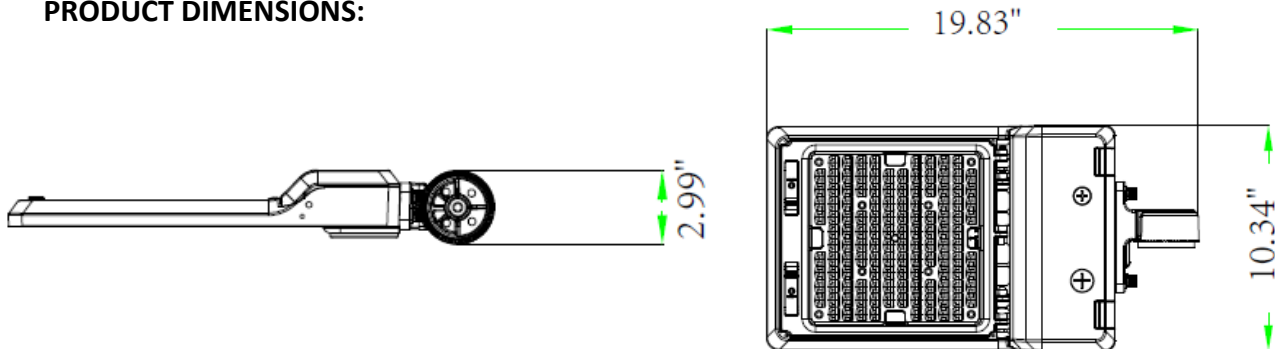
**Pictured with Universal Mount (Sold Separately)*

FEATURES:

- Lens Changeable: Type III Installed, Type IV & V Available Upon Request
- Color Selectable: 3000/4000/5000K
- Wattage Selectable: 80/100/150W
- 3-Pin Twist Lock Receptacle & Shorting Cap Included
- Quick Lens Change & Lock in Place Design - 4 magnetic screws for secure hold & easy lens change out at heights
- Photocell Receptacle/Socket Included
- IP65 Rated for Wet Locations
- Bronze Die Cast Aluminum Housing - Cold Weather & High Wind Resistant
- Breather Drain Included for Proper Moisture & Heat Dissipation
- Easily Access the Driver Box Through Two Heavy Duty Clips
- Mounting Options Sold Separately
- 50,000+ Hour Life Expectancy

CAT NO.	HOUSING COLOR	WATTAGE	CCT	MAX LUMENS (TYPE III LENS)	VOLTAGE	LENS TYPE	CRI	DIMMING
74014D	BRONZE	80/100/150W	3K/4K/5K	21,782	277-480V	TYPE III	>80	0-10V

PRODUCT DIMENSIONS:





74014D - 80/100/150W AREA LIGHT

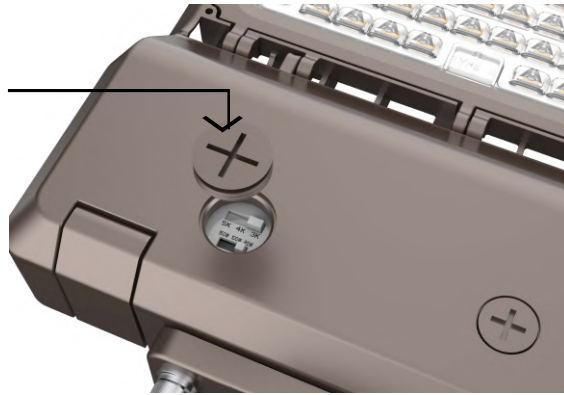
WITH FIELD CHANGEABLE LENS

277-480V 3/4/5K TYPE III

DIP SWITCH ACCESS

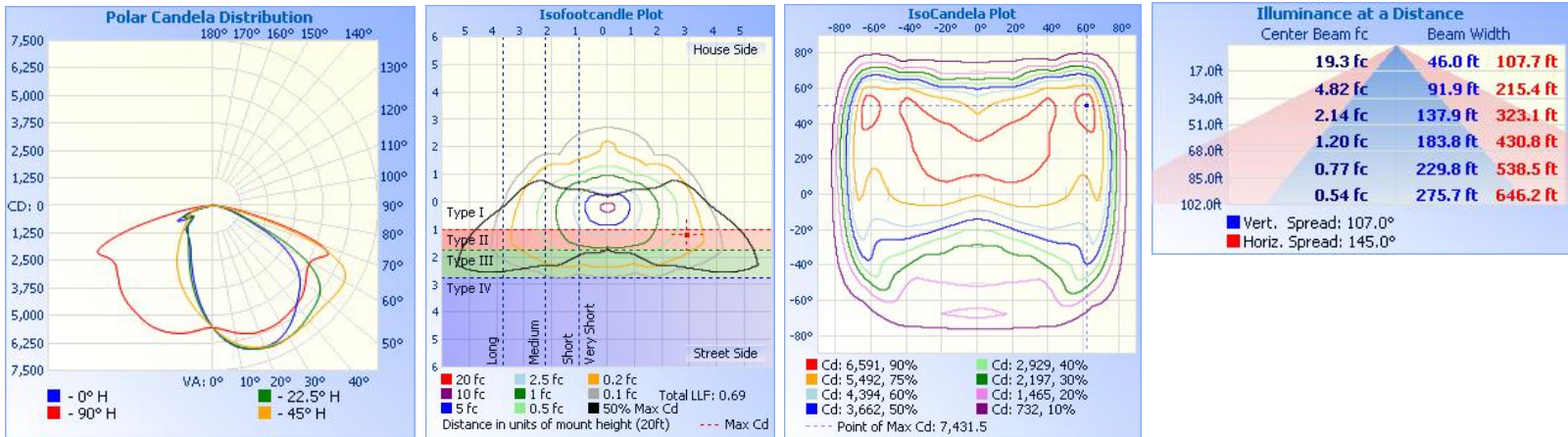
COLOR SELECTABLE:
3000K/4000K/5000K

WATTAGE
SELECTABLE:
80W/100W/150W



LENS LOCK & UNLOCK - SCREW DIRECTION

PHOTOMETRICS:

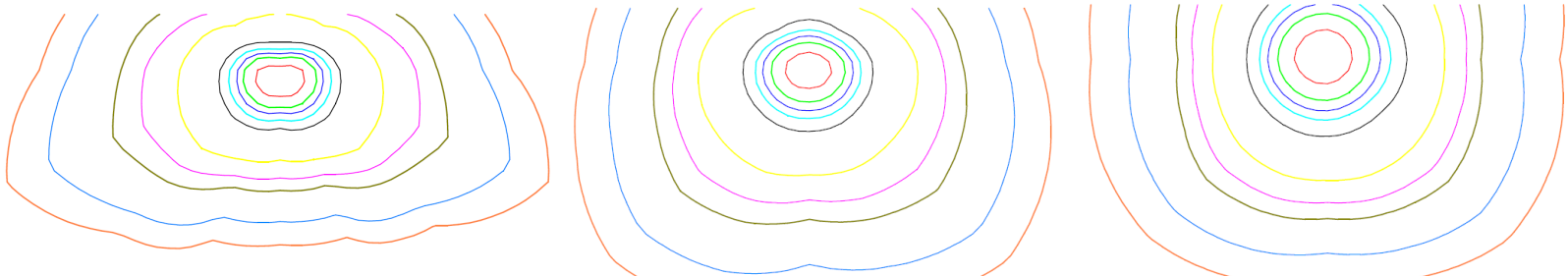


LIGHT DISTRIBUTIONS:

TYPE III

TYPE IV

TYPE V





74014D - 80/100/150W AREA LIGHT

WITH FIELD CHANGEABLE LENS

277-480V 3/4/5K TYPE III

TECHNICAL SPECIFICATIONS:

ELECTRICAL

Input Voltage/Frequency: 277-480VAC, 50/60Hz

THD: < 20%

Power Factor: > 0.9

Current: 0.5A @ 277V

Surge Protection: 6kV

PRODUCT PARAMETERS:

Input Power: 150W/100W/80W

Color Temperature: 3000K/4000K/5000K

Factory Preset to: 150W, 5000K

50,000+ LED Life Expectancy

Operating Temperature: -40°F - 122°F

CHROMACITY MEASUREMENTS:

CRI: >80

Beam Angle: 150° X 80°

Light Distribution: Type III

COMPONENT SPECIFICATIONS:

LED: SMD2835

Driver Voltage: 277-480V

Frequency: 50/60Hz

Dimming: 0-10V

CONSTRUCTION:

Housing: Corrosion resistant die cast aluminum housing. Bronze Powder Coat Finish

IP Rating: IP65 Wet Location Rated

Lens Material: Polycarbonate. Magnetic screws for secure hold & placement.

Whip Length: 3'

WARRANTY:

Morris Products carries a 5 year warranty from date of purchase against defects in materials and workmanship (assuming normal and proper usage).

LUMEN BREAKDOWN:

(TYPE III LENS INCLUDED, TYPE IV & V SOLD SEPARATELY)

Type III	3000K	4000K	5000K
80W	12,600	13,041	12,994
100W	14,983	15,666	15,477
150W	21,200	21,782	21,192

Type IV	3000K	4000K	5000K
80W	12,244	12,994	12,692
100W	14,546	15,282	15,141
150W	19,919	21,177	20,756

Type V	3000K	4000K	5000K
80W	12,793	13,274	13,319
100W	15,203	15,886	15,757
150W	20,706	22,029	21,619

ACCESSORIES:

SOLD SEPARATELY

- 75093D - Glare Shield
- 74786D - Type IV Lens
- 74787D - Type V Lens
- 74043A - Universal Mount
- 74036D - Yoke Mount
- 74034A - Slipfitter Mount
- 74038C - Trunnion Mount
- 74032A - Pole Arm Mount
- 74072C - Microwave Motion Sensor
- 74188B - Optional Remote for Microwave Motion Sensor
- 39107 - Twist Lock Photocell

CERTIFICATIONS:

- DLC Premium: S-KTYBY9
- cULus Listed