

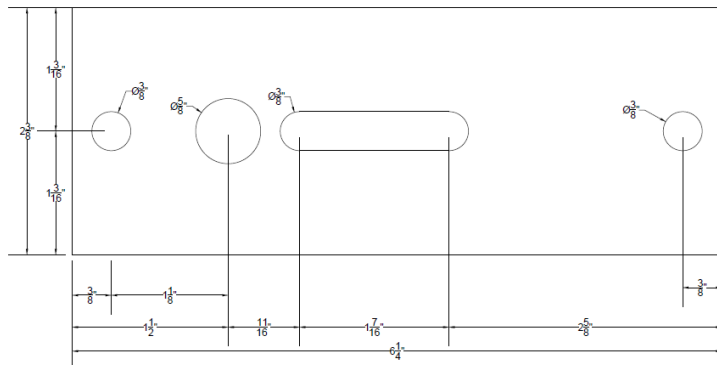


74032A - POLE ARM MOUNT

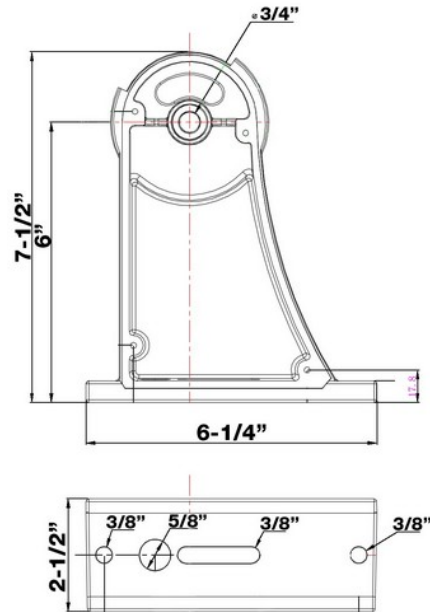
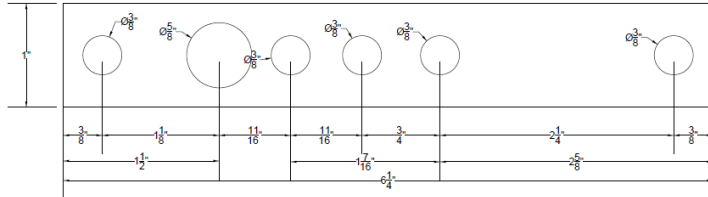
60W-300W BRONZE



BACK OF MOUNT



FASTENING PLATE



FEATURES:

- For use with Gen 3, Gen 4, & Gen 5 Area Lights
- For square pole and round pole applications (3"-6" round poles)
- Corrosion resistant Die Cast Aluminum housing
- Superior Architectural Powder Coat Finish (Polyester Polycarbonate Powder Coating)
- Housing Color: Bronze
- Stainless Steel Hardware