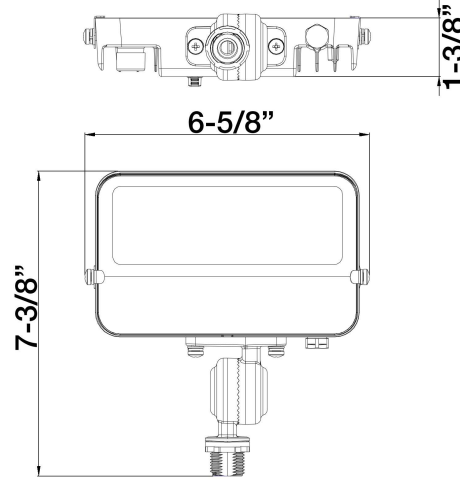




74524 - LED SMALL FLOOD

50W 120V 3K/4K/5K KNUCKLE MOUNT

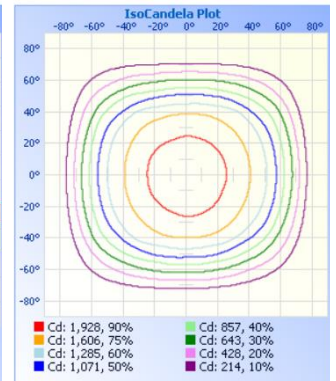
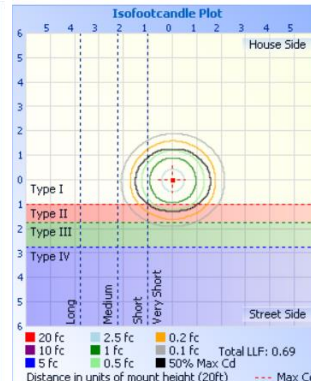
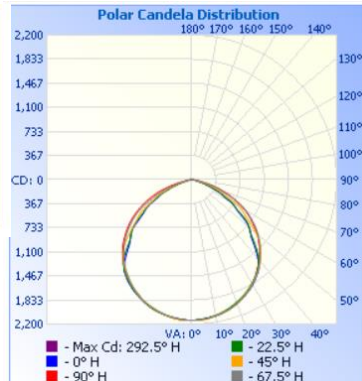
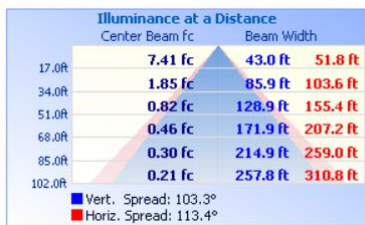


FEATURES:

- Integral Cooling Fin Releases Heat Efficiently to Maintain the Life of LED's & LED Driver
- Corrosion Resistant Die Cast Aluminum Housing
- Tempered Glass Lens
- Photocontrol Can Be Installed Remotely
- Superior Architectural Powder Coat Finish
- Color Selectable: 3000K, 4000K, 5000K
- Operating Temperature: -40°F to 104°F
- Mount: 1/2" Knuckle
- IP65 Wet Location Rated
- UL, DLC PRODUCT ID#: PDVVZA9S
- 5 Year Warranty

Part#	Housing Color	Wattage	Lumens	CCT	Voltage	Beam Angle	Lumens/Watt	DLC PRODUCT ID#
74524	Bronze	50W	5,624@3K	3K/4K/5K	120V	114°	112lm/w @ 3K	PDVVZA9S

PHOTOMETRY





74524 - LED SMALL FLOOD

50W 120V 3K/4K/5K KNUCKLE MOUNT

Technical Specifications:

Electrical:

Input Voltage: 120V
Current: .0.457A @ 120V
Frequency: 60Hz
Power Factor: ≥ 0.9
THD: 15.92% @ 120V

Product Parameters:

50 Watts
Efficacy: 112 lumens per watt
50,000+ LED Life Span
CCT: 3000K/4000K/5000K

Chromaticity Measurements:

Beam Angle: 114°
CRI: >70
R9: 0
DUV: -0.0001
Chromaticity (x,y): $x=0.4412$ $y=0.4053$
Chromaticity (u,v): $u=0.2528$; $v= 0.5225$

Component Specifications:

LED: Philips 2835
Driver Voltage: 120V
Frequency: 50-60HZ

Dimming: N/A

Operating Temperature:

Minimum Starting: -40°F to 104°F

Construction:

Housing: Corrosion Resistant Die Cast Aluminum Housing

IP Rating: IP65 Wet Location

Lens Material: Tempered Glass

Mounting: 1/2" Knuckle Mount

Listing:

cULus

DLC PRODUCT ID#: PDVVZA9S

Warranty:

Morris Products carries a 5 year warranty from date of purchase against defects in materials and workmanship (assuming normal and proper usage).